

OSMAN

designed by Corrado Dotti

560.41 Parete - Wall

Collezione / Series

Osman

Dimensioni / Dimensions

H. 23 x D. 13 / H. 9.1" x D. 5.2"

Peso / Weight

0,8 kg / 1,8 lb

Materiali / Materials

metal, brass, glass

Certificazioni / Certifications

CE (240V)

Sorgente / Source

1x E14 220/240V

Recommended bulb: 8 Watts 500 lm

Dimmability: according to bulb

Note / Notes

Available in 110/120V

Custom base on request

Max dimensions bulb (excluded): 3.0 cm

Finiture / Finishes

C2 Matte black + C41 Brushed brass + Clear glass,

C2 Matte black + C48 Black chrome + Smoke glass

CE  IP20

Struttura realizzata da una base e uno piccolo braccio in metallo verniciati a polveri epossidiche con dettaglio in ottone spazzolato o cromo nero. Vetro cilindrico a doppia parete trasparente o fumè.

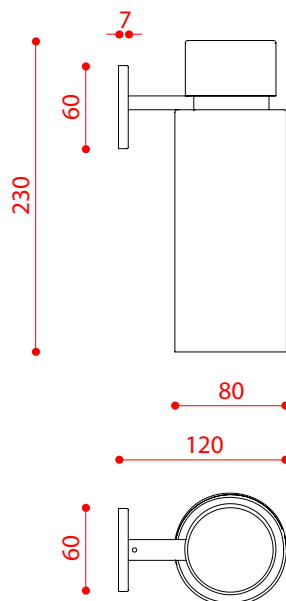
Structure made from a metal base and a small arm coated with epoxy powder and brushed brass or black chrome detail. Clear or smoked double-wall cylindrical glass.

ABOUT

Famiglia di lampade dal design razionale arricchita dai preziosi dettagli metallici e dai diffusori cilindrici a doppia parete che donano una diffusione luminosa affascinante e armonica. La particolare struttura ortogonale e le proporzioni ben equilibrate danno a queste lampade un forte segno avanguardistico pur mantenendo un aspetto formale familiare e raffinato.

Family of lamps with a rational design enriched by precious metallic details and double-wall cylindrical diffusers that give a fascinating and harmonious light diffusion. The particular orthogonal structure and the well-balanced proportions give these lamps a strong avantgarde sign while maintaining a formal, familiar and refined appearance.





OSMAN

designed by Corrado Dotti

560.45 Parete - Wall

Collezione / Series

Osman

Dimensioni / Dimensions

H. 23 x D. 13 / H. 9.1" x D. 5.2"

Peso / Weight

0,8 kg / 1,8 lb

Materiali / Materials

metal, brass, glass

CE  IP20

Certificazioni / Certifications

CE (240V)

Sorgente / Source

2x E14 220/240V
Recommended bulb: 8 Watts 500 lm
Dimmability: according to bulb

Note / Notes

Available in 110/120V
Recessed base
Custom base on request
Max dimensions bulb (excluded): 3.0 cm

Finiture / Finishes

C2 Matte black + C41 Brushed brass + Clear glass,

C2 Matte black + C48 Black chrome + Smoke glass

Struttura realizzata da una base ad incasso e uno piccolo braccio in metallo verniciati a polveri epossidiche con dettaglio in ottone spazzolato o cromo nero. Vetro cilindrico a doppia parete trasparente o fumè.

Structure made from a metal recessed base and a small arm coated with epoxy powder and brushed brass or black chrome detail. Clear or smoked double-wall cylindrical glass.

ABOUT

Famiglia di lampade dal design razionale arricchita dai preziosi dettagli metallici e dai diffusori cilindrici a doppia parete che donano una diffusione luminosa affascinante e armonica. La particolare struttura ortogonale e le proporzioni ben equilibrate danno a queste lampade un forte segno avanguardistico pur mantenendo un aspetto formale familiare e raffinato.

Family of lamps with a rational design enriched by precious metallic details and double-wall cylindrical diffusers that give a fascinating and harmonious light diffusion. The particular orthogonal structure and the well-balanced proportions give these lamps a strong avantgarde sign while maintaining a formal, familiar and refined appearance.



Design: Corrado Dotti

Description: Family of lamps with a rational design enriched by precious metallic details and double-wall cylindrical diffusers that give a fascinating and harmonious light diffusion. The particular orthogonal structure and the well-balanced proportions give these lamps a strong avantgarde sign while maintaining a formal, familiar and refined appearance.

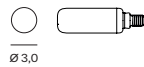
Materials: metal, brass, glass

Mounting: Cable: 2 x 0,50 mm². Base: 6 x 6 included with bracket.

Nt. Wt.: 0,8 kg

Class: Degree of protection IP20, insulation class 1.

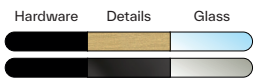
Note: Custom base on request
 Recessed base available (560.45)
 Available in 110/120V
 Max dimensions bulb (excluded):



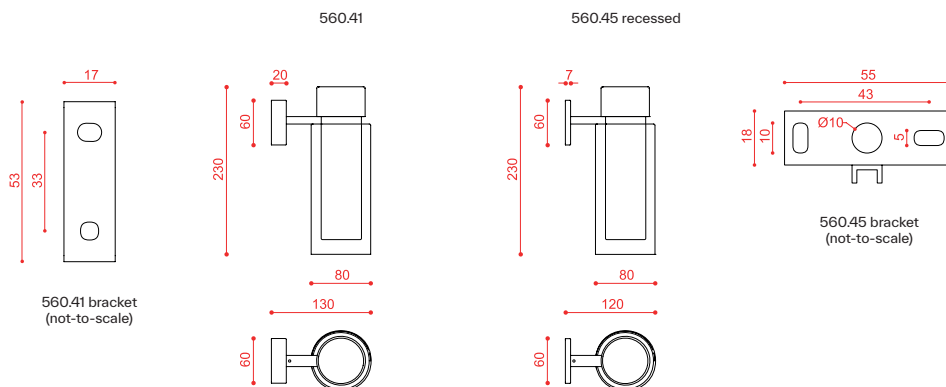
CE IP20



code	source	lumens	dimmability	finishes	cable (cm)	dimensions (cm)	recommended bulb
560.41 560.45 rec.	1 x E14 220/240V	/	according to bulb	C2 + C41 + clear	/	H 23 x D 13 H 23 x D 12	8W 500 lm
560.41 560.45 rec.	1 x E14 220/240V	/	according to bulb	C2 + C48 + smoke	/	H 23 x D 13 H 23 x D 12	8W 500 lm



C2 Matte black + C41 Brushed brass + Clear glass
 C2 Matte black + C48 Black chrome + Smoke glass



measurements in mm