

OSMAN

designed by Corrado Dotti

560.64d Terra - Floor

Collezione / Series

Osman

Dimensioni / Dimensions

H. 140 x Ø. 35 / H. 55.1" x Ø. 13.8"

Peso / Weight

7,6 kg / 16,8 lb

Materiali / Materials

metal, brass, glass

Certificazioni / Certifications

CE (240V)

Sorgente / Source

4x E14 220/240V
Recommended bulb: 8 Watts 500 lm
Dimmability: according to bulb
Cable: 300 cm

Note / Notes

Available in 110/120V
Max dimensions bulb (excluded): 3.0 cm

Finiture / Finishes

C2 Matte black + C41 Brushed brass + Clear glass,

C2 Matte black + C48 Black chrome + Smoke glass

CE  IP20

Struttura realizzata da una base quadrata e quattro steli in metallo collegati tra loro e verniciati a polveri epossidiche con dettagli in ottone spazzolato o cromo nero. Vetri cilindrici a doppia parete trasparenti o fumè. Dimmer integrato sul cavo.

Structure made from a square metal base and four stems connected one with the other coated with epoxy powder and brushed brass or black chrome details. Clear or smoked double-wall cylindrical glasses. Dimmer integrated on cable.

ABOUT

Famiglia di lampade dal design razionale arricchita dai preziosi dettagli metallici e dai diffusori cilindrici a doppia parete che donano una diffusione luminosa affascinante e armonica. La particolare struttura ortogonale e le proporzioni ben equilibrate danno a queste lampade un forte segno avanguardistico pur mantenendo un aspetto formale familiare e raffinato.

Family of lamps with a rational design enriched by precious metallic details and double-wall cylindrical diffusers that give a fascinating and harmonious light diffusion. The particular orthogonal structure and the well-balanced proportions give these lamps a strong avantgarde sign while maintaining a formal, familiar and refined appearance.



Design: Corrado Dotti


Description: Family of lamps with a rational design enriched by precious metallic details and double-wall cylindrical diffusers that give a fascinating and harmonious light diffusion. The particular orthogonal structure and the well-balanced proportions give these lamps a strong avantgarde sign while maintaining a formal, familiar and refined appearance.

Materials: metal, brass, glass

Mounting: Floor: cable length 300 cm. Cable: 3 x 0,75 mm². Plug: type F (Schuko). On/off switch: 80 cm from the base on black fabric cable.

Nt. Wt.: 7,6 kg

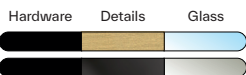
Class: Degree of protection IP20, insulation class 1.

Note: Available in 110/120V
Max dimensions bulb (excluded): 

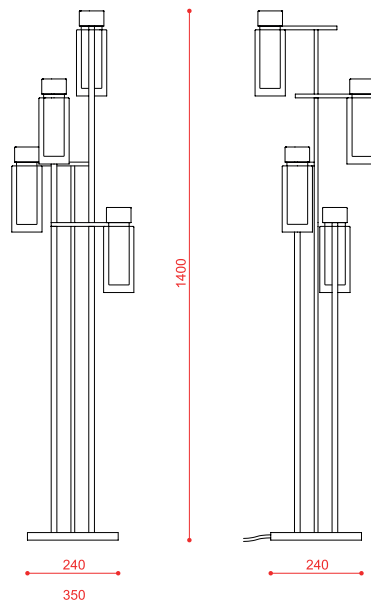
CE  IP20



code	source	lumens	dimmability	finishes	cable (cm)	dimensions (cm)	recommended bulb
560.64	4 x E14 220/240V	/	/	C2 + C41 + clear	300	H 140 x Ø 35	8W 500 lm
560.64	4 x E14 220/240V	/	/	C2 + C48 + smoke	300	H 140 x Ø 35	8W 500 lm
560.64d	4 x E14 220/240V	/	according to bulb	C2 + C41 + clear	300	H 140 x Ø 35	8W 500 lm
560.64d	4 x E14 220/240V	/	according to bulb	C2 + C48 + smoke	300	H 140 x Ø 35	8W 500 lm



C2 Matte black + C41 Brushed brass + Clear glass
C2 Matte black + C48 Black chrome + Smoke glass



measurements in mm