

## OSMAN

designed by Corrado Dotti

560.74 Soffitto/Parete - Wall/Ceiling

### Collezione / Series

Osman

### Dimensioni / Dimensions

H. 54 x L. 54 / H. 21.3" x L. 21.3"

### Peso / Weight

2,4 kg / 5,3 lb

### Materiali / Materials

metal, brass, glass

### Certificazioni / Certifications

CE (240V)

### Sorgente / Source

4x E14 220/240V  
Recommended bulb: 8 Watts 500 lm  
Dimmability: according to bulb

### Note / Notes

Available in 110/120V  
Custom base on request  
Max dimensions bulb (excluded): 3.0 cm

### Finiture / Finishes

C2 Matte black + C41 Brushed brass + Clear glass,

C2 Matte black + C48 Black chrome + Smoke glass

CE Ⓢ IP20

Struttura realizzata da una base quadrata e quattro steli in metallo collegati tra loro e verniciati a polveri epossidiche con dettagli in ottone spazzolato o cromo nero. Vetri cilindrici a doppia parete trasparenti o fumè.

Structure made from a square metal base and four stems connected one with the other coated with epoxy powder and brushed brass or black chrome details. Clear or smoked double-wall cylindrical glasses.

## ABOUT

Famiglia di lampade dal design razionale arricchita dai preziosi dettagli metallici e dai diffusori cilindrici a doppia parete che donano una diffusione luminosa affascinante e armonica. La particolare struttura ortogonale e le proporzioni ben equilibrate danno a queste lampade un forte segno avanguardistico pur mantenendo un aspetto formale familiare e raffinato.

Family of lamps with a rational design enriched by precious metallic details and double-wall cylindrical diffusers that give a fascinating and harmonious light diffusion. The particular orthogonal structure and the well-balanced proportions give these lamps a strong avantgarde sign while maintaining a formal, familiar and refined appearance.



**Design:** Corrado Dotti

**Description:** Family of lamps with a rational design enriched by precious metallic details and double-wall cylindrical diffusers that give a fascinating and harmonious light diffusion. The particular orthogonal structure and the well-balanced proportions give these lamps a strong avantgarde sign while maintaining a formal, familiar and refined appearance.


**Materials:** metal, brass, glass

**Mounting:** Cable: 3 x 0,75 mm<sup>2</sup>. Base: 20 x 20 cm cross included with bracket.

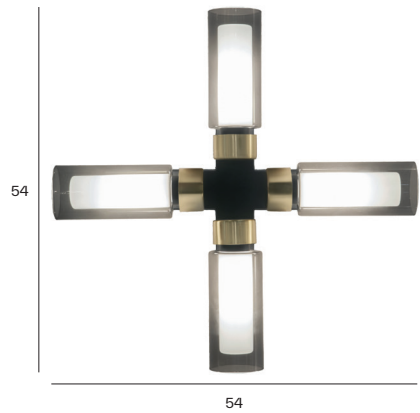
**Nt. Wt.:** 2,4 kg

**Class:** Degree of protection IP20, insulation class 1.

**Note:** Custom base on request  
Available in 110/120V

Max dimensions bulb (excluded):  Ø 3,0

CE ⊕ IP20



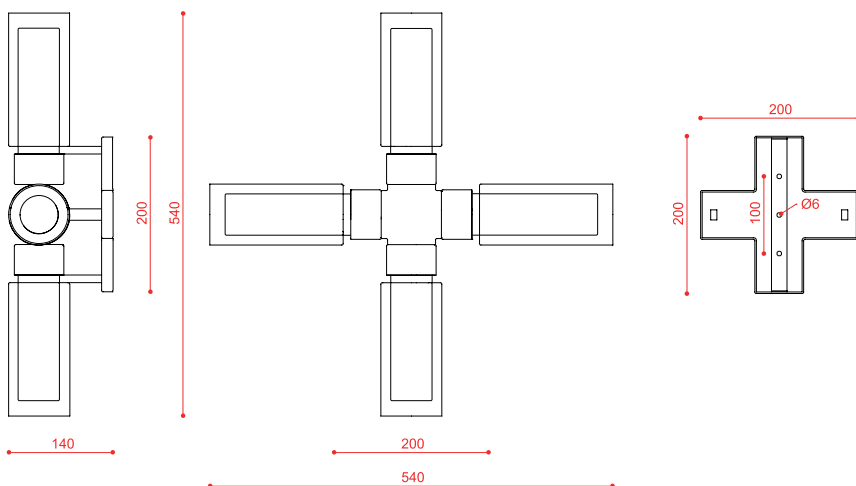
code	source	lumens	dimmability	finishes	cable (cm)	dimensions (cm)	recommended bulb
560.74	4 x E14 220/240V	/	according to bulb	C2 + C41 + clear	/	H 54 x L 54	8W 500 lm
560.74	4 x E14 220/240V	/	according to bulb	C2 + C48 + smoke	/	H 54 x L 54	8W 500 lm

Hardware Details Glass



C2 Matte black + C41 Brushed brass + Clear glass

C2 Matte black + C48 Black chrome + Smoke glass



measurements in mm