

THULA

designed by Federica Biasi

562.22 Sospensione - Pendant

Collezione / Series

Thula

Dimensioni / Dimensions

H. 11 x L. 104 / H. 4.3" x L. 40.9"

Peso / Weight

2,5 kg / 5,5 lb

Materiali / Materials

aluminum, metal, leather, wood

CE  IP40

Certificazioni / Certifications

CE (240V)

Sorgente / Source

110/240 V
Integrated LED
Wattage: 20 Watts
Lumens: 2600 lm
Dimmability: TRIAC
Color Temperature: 2700K
Cable: 150 cm

Note / Notes

DALI version on request

Finiture / Finishes

Hardware: C22 Beige + C22 Beige
C22 Beige + C68 Satin nickel,
C74 Sand black + C74 Sand black,
C74 Sand black + C68 Satin nickel

Shade: L02 Beige leather, W02
Canaletto walnut, W03 Light oak

Struttura realizzata in alluminio e metallo verniciato a polveri epossidiche a cui viene aggiunto un componente organico in legno o pelle trapuntata. Composta da un LED lineare dimmerabile. Versione con cavo e spina disponibile su richiesta. Driver remoto.

Structure made of aluminum and epoxy powder coated metal to which an organic component in wood or quilted leather is added. Composed of a dimmable linear LED. Version with cable and plug available on request. Remote driver.

ABOUT

Disegnate da Federica Biasi, le appliques e le lampade a sospensione Thula sono fondate su un elemento centrale semplice e architettonico con funzione illuminante a cui si aggiunge, in un sapiente gioco di addizione e sottrazione, una componente organica in legno o in pelle trapuntata. La fonte luminosa consiste in un LED lineare dimmerabile; nella versione base a parete può essere orientata, dando quindi luce diretta o indiretta.

Designed by Federica Biasi, the Thula appliques and suspension lamps are based on a simple and architectural central element with an illuminating function to which an organic component in wood or quilted leather is added in a skillful game of addition and subtraction. Consists of a linear dimmable LED; in the simple wall version it can be oriented, thus giving direct or indirect light.

THULA

562.22 Pendant

Picture on page 94/95 of the catalogue

Design: Federica Biasi

Description: The Thula suspension lamps are based on a simple and architectural central element with an illuminating function to which an organic component in wood or quilted leather is added in a skilful game of addition and subtraction. Consists of a linear dimmable LED.

Materials: aluminum, metal, leather, wood

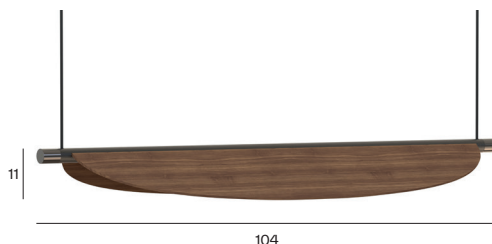
Mounting: Pendant: cable length 150 cm. Cable: 2 x 0,75 mm². Canopies: 27 x 7,5 + Ø 6 cm included with bracket. Driver location: driver located in the canopy (dim.: H 2 x L 16 x W 4,5 cm).

Nt. Wt.: 2,5 kg

Class: Degree of protection IP40, insulation class 1.

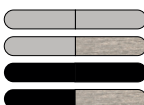
Note: Driver located in the canopy
Available in 110/120V
DALI version on request

CE ⊕ IP40



code	source	lumens	dimmability	finishes	cable (cm)	dimensions (cm)	LED
562.22	LED 220/240V	2600 Lm	TRIAC	all color combos + wood	150	H 11 x L 104	20W 2700K
562.22	LED 220/240V	2600 Lm	TRIAC	all color combos + leather	150	H 11 x L 104	20W 2700K

Hardware Details

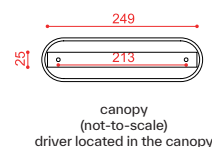
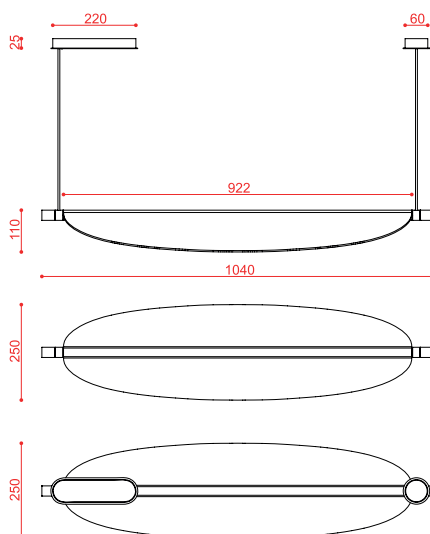


C22 Beige + C22 Beige
C22 Beige + C68 Satin nickel
C74 Sand black + C74 Sand black
C74 Sand black + C68 Satin nickel

Shade



L02 Beige leather
W02 Canaletto walnut
W03 Light oak



measurements in mm