

THULA

designed by Federica Biasi

562.41 Parete/Soffitto - Wall/Ceiling

Collezione / Series

Thula

Dimensioni / Dimensions

H. 67 x L. 25 / H. 26.4" x L 9.8"

Peso / Weight

1,5 kg / 3,3 lb

Materiali / Materials

aluminum, metal, leather, wood

CE IP40

Certificazioni / Certifications

CE (240V)

Sorgente / Source

24 V (with remote driver)

Integrated LED

Wattage: 11 Watts

Lumens: 1400 lm

Dimmability: TRIAC

Driver dimensions: H 2 x L 16 x W 4,5 cm

Color Temperature: 2700K

Note / Notes

Cable + plug version available

DALI version on request

Available remote driver for 110/120V

Finiture / Finishes

Hardware: C22 Beige + C22 Beige

C22 Beige + C68 Satin nickel,

C74 Sand black + C74 Sand black,

C74 Sand black + C68 Satin nickel

Shade: L02 Beige leather, W02

Canaletto walnut, W03 Light oak

Struttura realizzata in alluminio e metallo verniciato a polveri epossidiche a cui viene aggiunto un componente organico in legno o pelle trapuntata. Composta da un LED lineare dimmerabile. Versione con cavo e spina disponibile su richiesta. Driver remoto.

Structure made of aluminum and epoxy powder coated metal to which an organic component in wood or quilted leather is added. Composed of a dimmable linear LED. Version with cable and plug available on request. Remote driver.

ABOUT

Disegnate da Federica Biasi, le appliques e le lampade a sospensione Thula sono fondate su un elemento centrale semplice e architettonico con funzione illuminante a cui si aggiunge, in un sapiente gioco di addizione e sottrazione, una componente organica in legno o in pelle trapuntata. La fonte luminosa consiste in un LED lineare dimmerabile; nella versione base a parete può essere orientata, dando quindi luce diretta o indiretta.

Designed by Federica Biasi, the Thula appliques and suspension lamps are based on a simple and architectural central element with an illuminating function to which an organic component in wood or quilted leather is added in a skillful game of addition and subtraction. Consists of a linear dimmable LED; in the simple wall version it can be oriented, thus giving direct or indirect light.

THULA

562.41 Wall/Ceiling

Picture on page 120/121 of the catalogue

Design: Federica Biasi

Description: Wall lamps based on a simple and architectural central element with an illuminating function to which an organic component in wood or quilted leather is added in a skilful game of addition and subtraction. Consists of a linear dimmable LED.

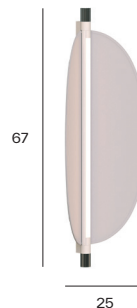
Materials: aluminum, metal, leather, wood

Mounting: Cable: 2 x 0,75 mm². Base: 60 x 2 cm included with bracket. Remote driver dimensions: H 2 x L 16 x W 4,5 cm.

Nt. Wt.: 1,5 kg

Class: Degree of protection IP40, insulation class 3.

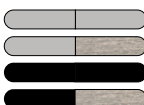
Note: Cable + plug version available (+ €50)
Remote driver included
Available remote driver for 110/120V
DALI version on request



CE IP40

code	source	lumens	dimmability	finishes	cable (cm)	dimensions (cm)	LED
562.41	LED 24V	1400 Lm	TRIAC	all color combos + wood	/	H 67 x L 25	11W 2700K
562.41	LED 24V	1400 Lm	TRIAC	all color combos + leather	/	H 67 x L 25	11W 2700K

Hardware Details

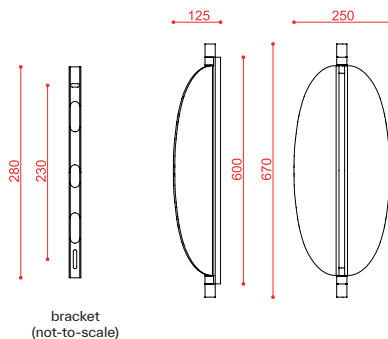


C22 Beige + C22 Beige
C22 Beige + C68 Satin nickel
C74 Sand black + C74 Sand black
C74 Sand black + C68 Satin nickel

Shade



L02 Beige leather
W02 Canaletto walnut
W03 Light oak



bracket
(not-to-scale)

measurements in mm