

## THULA

designed by Federica Biasi

562.42 Parete/Soffitto - Wall/Ceiling

### Collezione / Series

Thula

### Dimensioni / Dimensions

H. 104 x L. 25 / H. 40.9" x L 9.8"

### Peso / Weight

2,3 kg / 5,1 lb

### Materiali / Materials

aluminum, metal, leather, wood

CE IP40

### Certificazioni / Certifications

CE (240V)

### Sorgente / Source

24 V (with remote driver)

Integrated LED

Wattage: 20 Watts

Lumens: 2600 lm

Dimmability: TRIAC

Driver dimensions: H 2 x L 16 x W 4,5 cm

Color Temperature: 2700K

### Note / Notes

Cable + plug version available

DALI version on request

Available remote driver for 110/120V

### Finiture / Finishes

Hardware: C22 Beige + C22 Beige

C22 Beige + C68 Satin nickel,

C74 Sand black + C74 Sand black,

C74 Sand black + C68 Satin nickel

Shade: L02 Beige leather, W02

Canaletto walnut, W03 Light oak

Struttura realizzata in alluminio e metallo verniciato a polveri epossidiche a cui viene aggiunto un componente organico in legno o pelle trapuntata. Composta da un LED lineare dimmerabile. Versione con cavo e spina disponibile su richiesta. Driver remoto.

Structure made of aluminum and epoxy powder coated metal to which an organic component in wood or quilted leather is added. Composed of a dimmable linear LED. Version with cable and plug available on request. Remote driver.

## ABOUT

Disegnate da Federica Biasi, le appliques e le lampade a sospensione Thula sono fondate su un elemento centrale semplice e architettonico con funzione illuminante a cui si aggiunge, in un sapiente gioco di addizione e sottrazione, una componente organica in legno o in pelle trapuntata. La fonte luminosa consiste in un LED lineare dimmerabile; nella versione base a parete può essere orientata, dando quindi luce diretta o indiretta.

Designed by Federica Biasi, the Thula appliques and suspension lamps are based on a simple and architectural central element with an illuminating function to which an organic component in wood or quilted leather is added in a skillful game of addition and subtraction. Consists of a linear dimmable LED; in the simple wall version it can be oriented, thus giving direct or indirect light.

# THULA

562.42 Wall/Ceiling

Picture on page 88/89 of the catalogue

**Design:** Federica Biasi

**Description:** Wall lamps based on a simple and architectural central element with an illuminating function to which an organic component in wood or quilted leather is added in a skilful game of addition and subtraction. Consists of a linear dimmable LED.

**Materials:** aluminum, metal, leather, wood

**Mounting:** Cable: 2 x 0,75 mm<sup>2</sup>. Base: 97 x 2 cm included with bracket. Remote driver dimensions: H 2 x L 16 x W 4,5 cm.

**Nt. Wt.:** 2,3 kg

**Class:** Degree of protection IP40, insulation class 3.

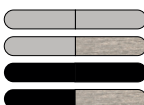
**Note:** Cable + plug version available (+ €50)  
Remote driver included  
Available remote driver for 110/120V  
DALI version on request



CE  IP40

code	source	lumens	dimmability	finishes	cable (cm)	dimensions (cm)	LED
562.42	LED 24V	2600 Lm	TRIAC	all color combos + wood	/	H 104 x L 25	20W 2700K
562.42	LED 24V	2600 Lm	TRIAC	all color combos + leather	/	H 104 x L 25	20W 2700K

**Hardware Details**

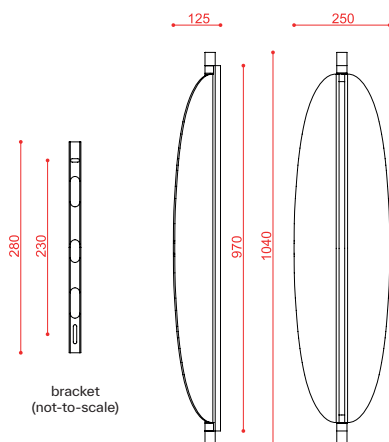


C22 Beige + C22 Beige  
C22 Beige + C68 Satin nickel  
C74 Sand black + C74 Sand black  
C74 Sand black + C68 Satin nickel

**Shade**



L02 Beige leather  
W02 Canaletto walnut  
W03 Light oak



measurements in mm