

## THULA

designed by Federica Biasi

562.47 Parete/Soffitto - Wall/Ceiling

### Collezione / Series

Thula

### Dimensioni / Dimensions

H. 104 x L. 6 / H. 40.9" x L 2.4"

### Peso / Weight

1,5 kg / 3,3 lb

### Materiali / Materials

aluminum, metal

CE IP40

### Certificazioni / Certifications

CE (240V)

### Sorgente / Source

24 V (with remote driver)

Integrated LED

Wattage: 20 Watts

Lumens: 2600 lm

Dimmability: TRIAC

Driver dimensions: H 2 x L 16 x W 4,5 cm

Color Temperature: 2700K

### Note / Notes

Cable + plug version available

DALI version on request

Available remote driver for 110/120V

### Finiture / Finishes

Hardware: C22 Beige + C22 Beige

C22 Beige + C68 Satin nickel,

C74 Sand black + C74 Sand black,

C74 Sand black + C68 Satin nickel

Struttura realizzata in alluminio e metallo verniciato a polveri epossidiche, composta da un LED lineare dimmerabile. Luce orientabile di 350° per avere così una luce diretta o indiretta. Versione con cavo e spina disponibile su richiesta. Driver remoto.

Structure made of aluminum and epoxy powder coated metal, composed of a dimmable linear LED. 350° adjustable light to give direct or indirect light. Version with cable and plug available on request. Remote driver.

## ABOUT

Disegnate da Federica Biasi, le appliques e le lampade a sospensione Thula sono fondate su un elemento centrale semplice e architettonico con funzione illuminante a cui si aggiunge, in un sapiente gioco di addizione e sottrazione, una componente organica in legno o in pelle trapuntata. La fonte luminosa consiste in un LED lineare dimmerabile; nella versione base a parete può essere orientata, dando quindi luce diretta o indiretta.

Designed by Federica Biasi, the Thula appliques and suspension lamps are based on a simple and architectural central element with an illuminating function to which an organic component in wood or quilted leather is added in a skillful game of addition and subtraction. Consists of a linear dimmable LED; in the simple wall version it can be oriented, thus giving direct or indirect light.

# THULA

# 562.47 Wall/Ceiling

Picture on page 90/91 of the catalogue

**Design:** Federica Biasi

**Description:** Wall lamps based on a simple and architectural central element. Consists of a linear dimmable LED; in the simple wall version it can be oriented, thus giving direct or indirect light.

**Materials:** aluminum, metal

**Mounting:** Cable: 2 x 0,75 mm<sup>2</sup>. Base: 95 x 2 cm included with bracket. Adjustable direct light: 350°. Remote driver dimensions: H 2 x L 16 x W 4,5 cm.

**Nt. Wt.:** 1,5 kg

**Class:** Degree of protection IP40, insulation class 3.

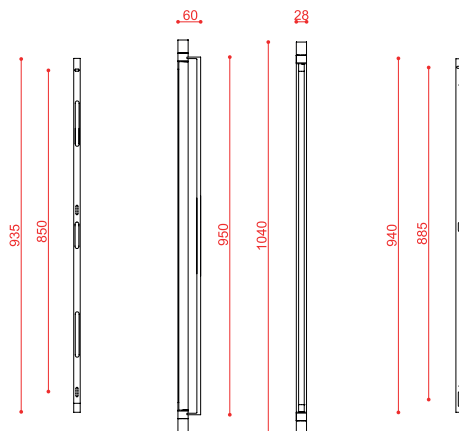
**Note:** Cable + plug version available (+ €50)  
Remote driver included  
Available remote driver for 110/120V  
DALI version on request

CE IP40



code	source	lumens	dimmability	finishes	cable (cm)	dimensions (cm)	LED
562.47	LED 24V	2600 Lm	TRIAC	all color combos	/	H 104 x L 6	20W 2700K

Hardware Details



bracket

bracket (cable version)

measurements in mm